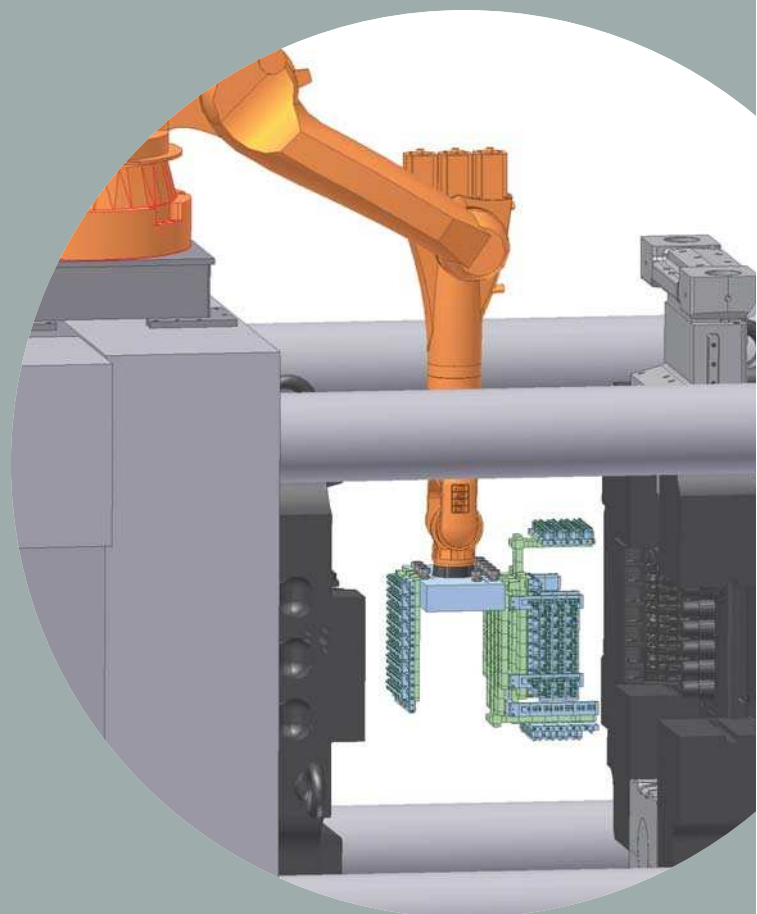


ROBOT
SPRAYING SYSTEMS
PowerSpray



WOLLIN 

SYSTEMATIC SPRAYING TECHNOLOGY

ROBOT SPRAYING SYSTEMS

The standardized modular spraying tools from the **PowerSpray** modular kit can be used with all robots.

WOLLIN DELIVERS COMPLETE SYSTEMS FOR DIE CASTING – STANDARD OR ACCORDING TO YOUR INDIVIDUAL REQUIREMENTS.

OUR SERVICE ENSURES YOUR SUCCESS

Individual die spraying tool design according to your needs – free of charge.

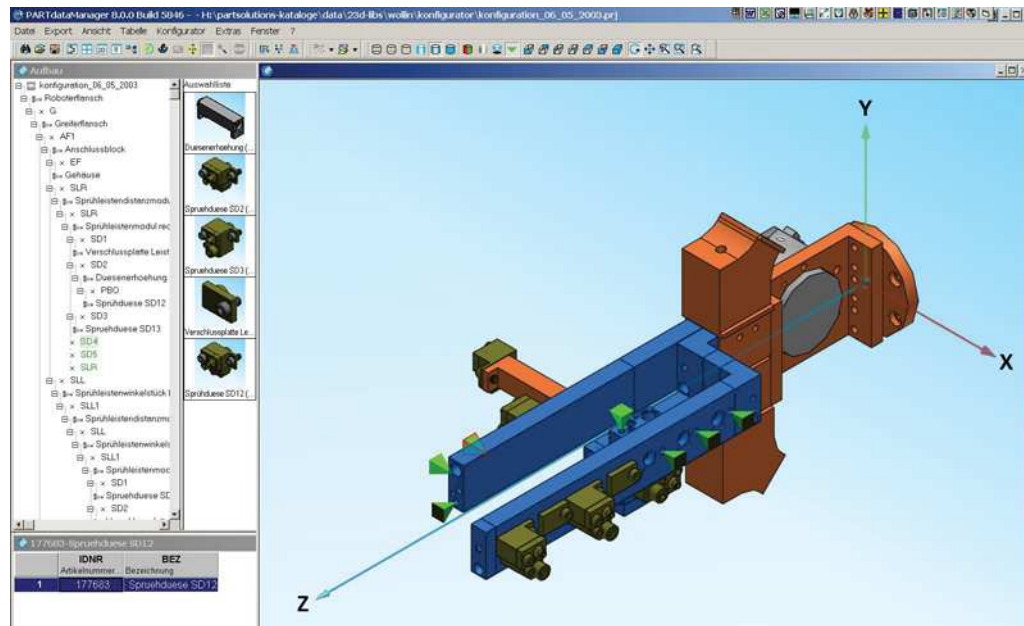
Using a model casting or the die drawing the die spraying tool is configured in next to no time on the computer.

Assembly and delivery follow – no expensive special-purpose designs and long delivery times.

On special request our application technicians can run in the spraying tool in your production and so optimise the spraying process.

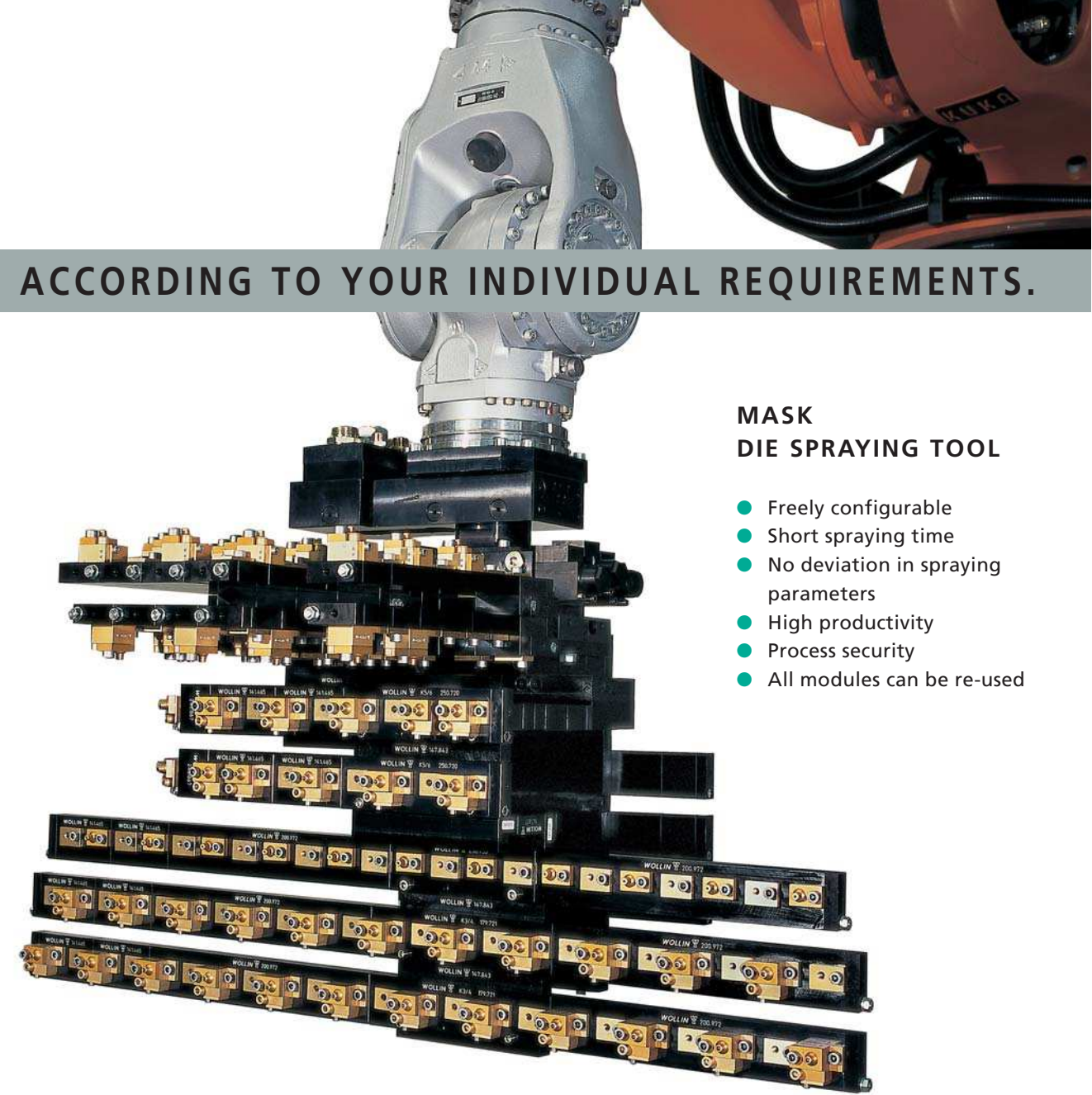
In this manner many of our customers were able to achieve considerable cost reduction while increasing production at the same time.

Computer-Design



MASK DIE SPRAYING TOOL

- Freely configurable
- Short spraying time
- No deviation in spraying parameters
- High productivity
- Process security
- All modules can be re-used

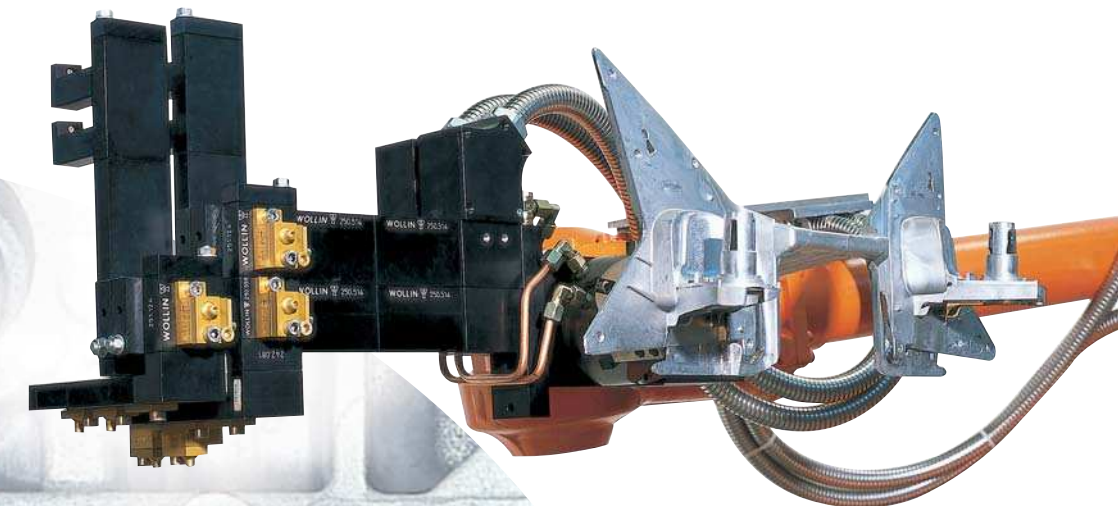
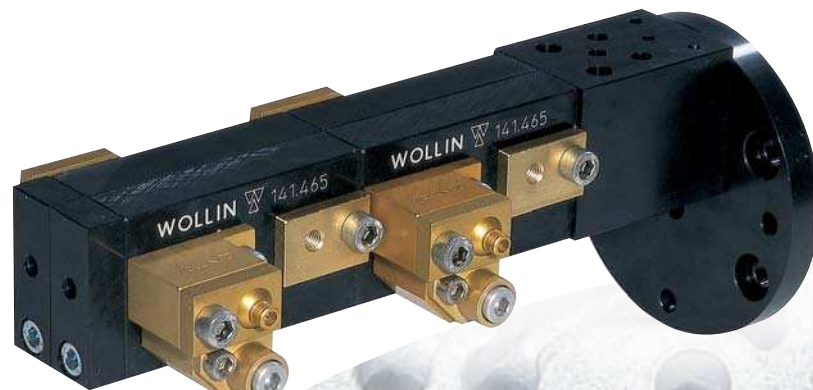


SPRAYING TOOL WITH INTEGRATED EXTRACTION GRIPPER

- Simultaneous gripping of the casting and die spraying
- Short cycle times
- High productivity
- Economical

UNIVERSAL DIE SPRAYING TOOL WITH INDIVIDUAL NOZZLES

- Flexible
- Only one spraying tool is required
- Only the robot program has to be changed after die changes
- Short set-up times
- Economical



COMPLETE AUTOMATION AND ENGINEERING



AUTOMATION

Complete automation of your casting cell from one partner. We deliver all components, trimming press, robot, transport belts etc.



SPECIAL-PURPOSE MACHINES

Handling and spraying robots in flexible linear construction that can be adjusted to any die casting machine and automation solution.



SPECIFIC SOLUTIONS

Spraying robot for spraying sand moulds

WOLLIN 

SYSTEMATIC SPRAYING TECHNOLOGY

WOLLIN GmbH
Kiesäckerstrasse 23
D-73547 Lorch
Germany

Tel +49 71 72-91 05 0
Fax +49 71 72-91 05 11
wollin@wollin.de
www.wollin.de